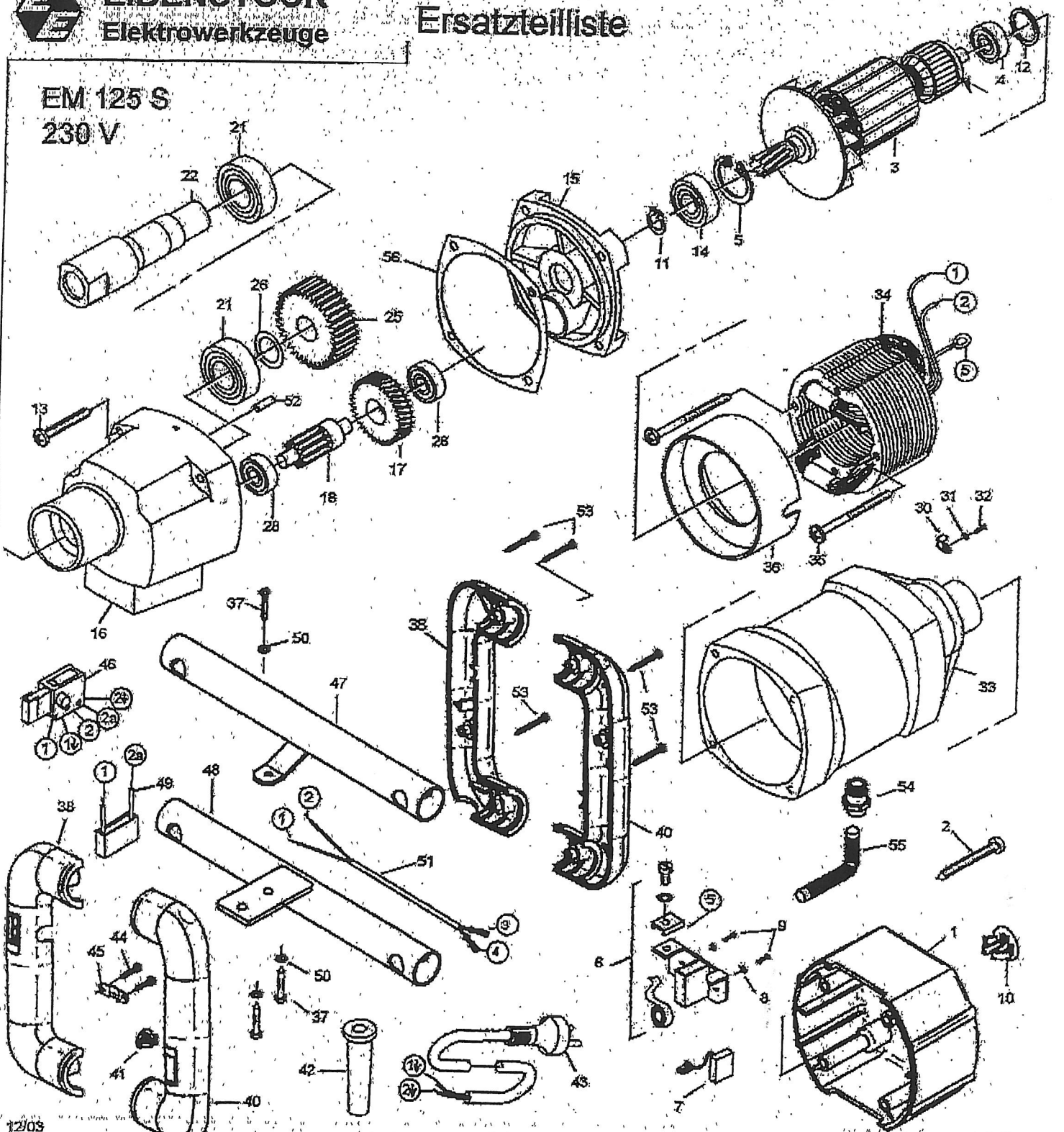




EIBENSTOCK
Elektrowerkzeuge

Ersatzteilliste

EM 125 S
230 V



Part List EM 125 S			
No.	Description	Prod.-No.	Quantity
1	cover	77212240	1
2	screw HC 4.8x50	80201284	4
3	armature cpl.	77117100	1
4	deep groove ball bearing 608 2Z	80410011	1
5	circlip 28/1.2	80201333	1
6	brush holder cpl.	80201196	2
7	carbon brushes cpl. 6.3x10x18	80700013	2
8	spring washer B4 corrugated	80201385	4
9	screw CM 4 x12	80201180	4
10	plug	80900173	1
11	circlip 10/1	80201305	1
12	o-ring 22/2.5	80000036	1
13	screw HC 4.8x45	80201267	4
14	deep groove ball bearing 6001 2Z	80410031	1
15	gearbox bearing shield	77212610	1
16	gearbox housing	77212400	1
17	intermediate gear	74010470	1
18	pinion shaft	74010490	1
19			
20			
21	deep groove ball bearing 6003 2RS	80410043	2
22	work spindle	77010420	1
23			
24			
25	spindle wheel	74010430	1
26	adjusting washer	80200507	1
27			
28	deep groove ball bearing 608	80410010	2
29			
30	mounting clip	80600164	1
31	washer 3.2	80201370	1
32	screw HC 2.9x9.5	8020151	1
33	motor housing	77212200	1
34	pole ring cpl.	77117150	1
35	screw C 3.9x60	80201266	1
36	spoiler	80900017	1
37	pan-head screw HM6x12	80201209	3
38	switch handle	76329260	1
39			
40	handle half	80900171	1
41	plug	80900202	1
42	cable outlet muff	83000004	1
43	connecting line	80600000	1
44	screw HC 4.2x13	80201270	2
45	nontension clip	85000020	1
46	built-in switch	80600145	1
47	handle tube with support	77212591	1
48	handle tube with plate	7731H592	1
49	anti-interference capacitor	80500010	1
50	lock washer 6	80201303	3
51			
52	half length reserve taper grooved dowel pin 4x12	80200582	1
53	screw HC 4.8x32	80201282	6
54	SM-nipple	80600172	1
55	SM-corrugated hose	80600173	1
56	gearbox seal	82000056	1