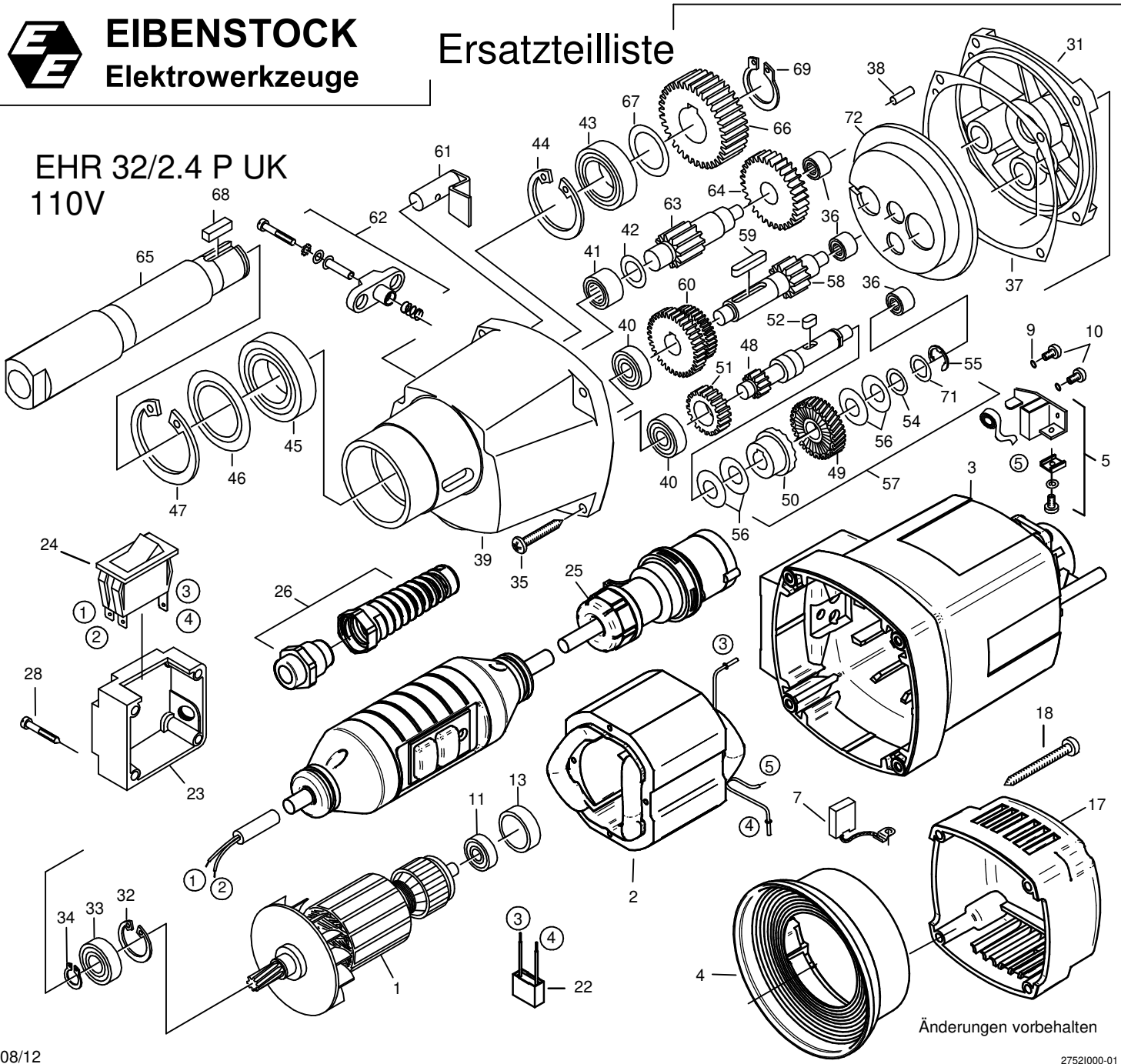




**EIBENSTOCK**  
Elektrowerkzeuge

# Ersatzteilliste

**EHR 32/2.4 P UK**  
**110V**



Änderungen vorbehalten



0752I000

PH 1816 S - 110V

Version: 01

Dated: 07.11.2022

Pos.	Description	Item No.	pc.	Price/pc. (*)	Pos.	Description	Item No.	pc.	Price/pc. (*)
1	Rotor, compl. 110V	7154G100	1		54	Pressure washer	71540607	1	
2	Stator, compl. 110V	7154D150	1		55	Safety washer 9	80201361	1	
3	Motor housing	80900042	1		56	Disc spring 25x12,2x0,9	80200710	4	
4	Air guiding ring	71540144	1		57	Clutch compl.	77526493	1	
5	Brush holder, compl.	80201199	2		58	Intermediate shaft 2	71521500	1	
7	Carbon brush 6,3x16x20	80700019	2		59	Parallel key 5x5x28	80200602	1	
9	Spring washer 4	80201385	4		60	Gear block	71521440	1	
10	Screw M4x12	80201180	4		61	Coupling bolt	71521520	1	
11	Grooved ball bearing 6000 2Z	80410021	1		62	Gear switch compl.	71540545	1	
13	Bearing cap	83000031	1		63	Intermediate shaft 3	71521510	1	
17	Cap	80900082	1		64	Intermediate wheel 2	71521480	1	
18	Screw 4,8x45	80201267	4		65	Work spindle	7752G420	1	
22	Capacitor	80500010	1		66	Spindle wheel	71540430	1	
23	Switch box	73420631	1		67	Shim ring 25x35x0,1	80200512	1	
24	Switch	80600119	1		68	Parallel key 6x6x20	80200606	1	
25	Connecting cable PRCD 2x1,5mm <sup>2</sup> 0,9m	7752F262	1		69	Retaining ring 24x1,2	80201326	1	
26	Cable gland	80600170	1		71	Pressure washer 12,1x18x1	71540606	1	
28	Screw 5,5x38	80201292	4		72	Grease compartment barrier	80900111	1	
31	End shield of gearing	7752G610	1						
32	Retaining ring 28x1,2	80201333	1						
33	Grooved ball bearing 6001 2Z	80410031	1						
34	Retaining ring 11x1	80201320	1						
35	Screw 5,5x38	80201292	4						
36	Needle sleeve HK0810	80420110	3						
37	Gearbox seal	82000509	1						
38	Grooved pin 5x16	80200580	1						
39	Gearbox housing	7752G400	1						
40	Grooved ball bearing 6000	80410020	2						
41	Needle bearing RNA 4900	80420001	1						
42	Disc	71540517	1						
43	Grooved ball bearing 6005 2RS	80410061	1						
44	Retaining ring 47x1,75	80201336	1						
45	Grooved ball bearing 6006 2RS	80410071	1						
46	Disc	71540426	1						
47	Retaining ring 55x2	80201338	1						
48	Intermediate shaft 1	71521490	1						
49	Clutch wheel	7154F550	1						
50	Coupling half	71540560	1						
51	Intermediate wheel 1	71521470	1						
52	Parallel key 5x5x10	80200600	1						